







Plastic Fiber Optic Amplifier

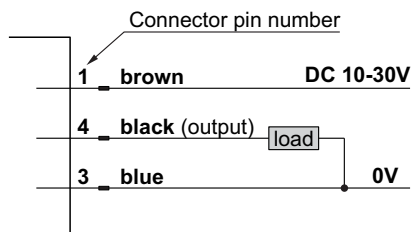
P: FOS1 SERIES

Connection	Sensing Mode (Note)	Output Mode	Part Number
2m Cable 	 Thru-beam Mode Sensing Distance: 400 mm	NPN L.O./D.O.	<u>FOS1-T0400N-CX6C3U2</u>
		PNP L.O./D.O.	<u>FOS1-T0400P-CX6C3U2</u>
	 Diffuse Mode Sensing Distance: 70 mm	NPN L.O./D.O.	<u>FOS1-D0070N-CX6C3U2</u>
		PNP L.O./D.O.	<u>FOS1-D0070P-CX6C3U2</u>
Quick Disconnect (Pico-style) 	 Thru-beam Mode Sensing Distance: 400 mm	NPN L.O./D.O.	<u>FOS1-T0400N-CX6Q4UP</u>
		PNP L.O./D.O.	<u>FOS1-T0400P-CX6Q4UP</u>
	 Diffuse Mode Sensing Distance: 70 mm	NPN L.O./D.O.	<u>FOS1-D0070N-CX6Q4UP</u>
		PNP L.O./D.O.	<u>FOS1-D0070P-CX6Q4UP</u>

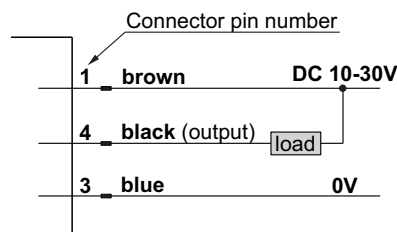
Note: Sensing mode & range Depends on fiber optic used (Please see our **Glass Fiber & Plastic Fiber** catalogue).

Connection Diagrams

PNP Output Type

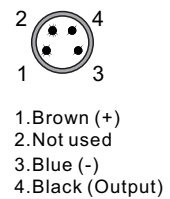


NPN Output Type

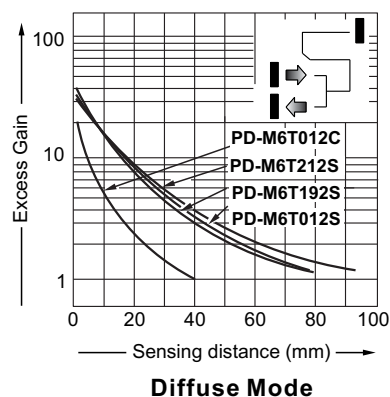
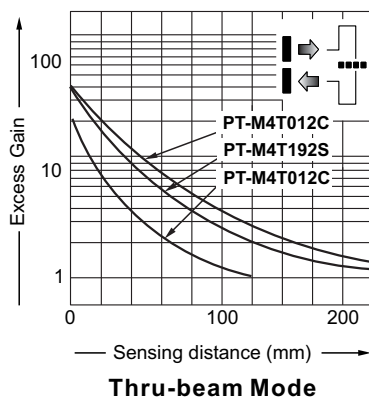


Connector face view

Pico-Style



Excess Gain Curve



Note:
 In Preparation: Part numbers with a line through the middle
 — P-01 —

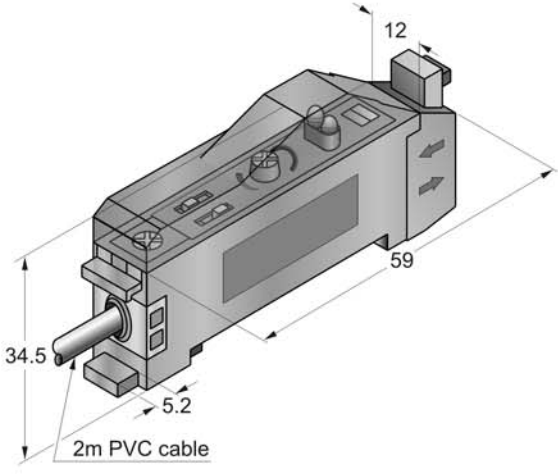
Specifications

Part Number	FOS1-T0400P-CX6C3U2 FOS1-D0070P-CX6C3U2	FOS1-T0400N-CX6C3U2 FOS1-D0070N-CX6C3U2	FOS1-T0400P-CX6Q4UP FOS1-D0070P-CX6Q4UP	FOS1-T0400N-CX6Q4UP FOS1-D0070N-CX6Q4UP
Sensing Range	Depends on fiber optics used (please see our Glass Fiber & Plastic Fiber catalogue).			
Light Source	LED Red, 680nm			
Response Time/Frequency	<= 350 ms / 1500Hz			
Supply Voltage	10...30V DC			
Current Consumption(no load)	<=30 mA			
Ripple (within Vs tolerance)	<=5V peak-to-peak			
Output Current Max.	100 mA			
Switching Mode	Light or dark switching selectable via switch			
Connection Type	Cable type: ϕ 3.5 PVC, 2m, 3 x 24 AWG		Connector type: M8 4-pin plug	
Output Type	PNP	NPN	PNP	NPN
Output Voltage High	Vs - (<=1.5V)	approx. Vs.	Vs - (<=1.5V)	approx. Vs.
Output Voltage Low	approx. 0V	<=1.5V.	approx. 0V	<=1.5V.
Housing	Glass fiber reinforced plastic			
Enclosure Rating	IP 66 / NEMA 4			
VDE Protection Class	II Double insulated			
Circuit Protection	Outputs short circuit and over current protected, Vs reverse polarity protected			
Timing Options	No delay or Off delay			
Time Settings	0 - 100ms adjustable			
Temperature	Ambient Operating Temperature: -25...55°C , Storage Temperature: -40...70°C			
EMC	IEC 60947-5-2, Parts 7.2.6.1. 2. 3 or RFI>3V/m(in 30-1000MHZ), EFT>1KV, ESD>4KV(contact)			
Voltage Withstand Ability	IEC 60947-5-2, Part 8.3.3.4 or 1500VAC for one min, between all supply terminals connected together and enclosure			
Insulation Resistance	>20M Ω , with 1500V AC megger between all supply terminals connected together and enclosure			
Vibration Resistance	IEC 60947-5-2, Part 7.4.2 or 10-55Hz, 1.0mm amplitude in x , y and z directions for 30 min			
Shock Resistance	IEC 60947-5-2, Part 7.4.1 or 30g, 11ms in x , y and z directions for six time each			
Mounting Bracket	Supplied with sensor			
Weight	approx. 80 g		approx. 30 g	

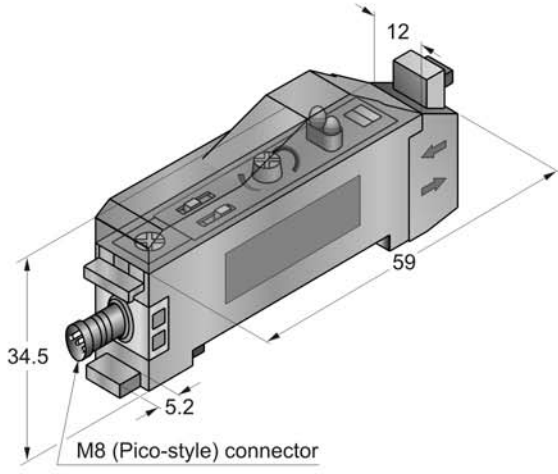
FOS1 SERIES

Plastic Fiber Optic Amplifier's Dimensions (Unit: mm)

Amplifier Type

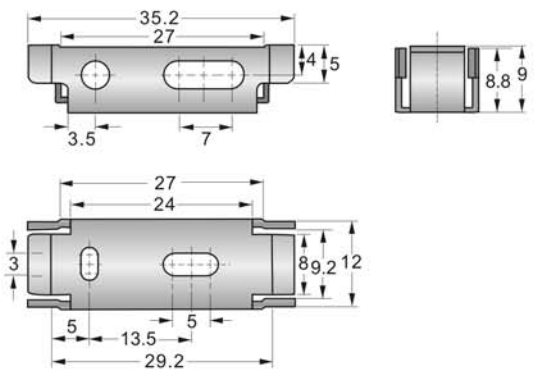


Cable Type



Connector Type

MB-3512 (Mounting bracket-optional)



P: FOS1 SERIES